

Alarm Check Valve, Vertical Trim Flange End, 300PSI

FIG: ACV - 200

Specifications

- Valve must be installed in vertical position with the trim as shown. Any deviation may affect the proper operation of the valve.
- Flange designed to EN1092-2 PN10/16, ANSI B16.1 Class 125 or BS10 Table D/E (Other types available on request).

Working Pressure

- 4°C - 70°C.

Working Temperature

- Cold water, 300PSI.
- 200PSI or 250PSI available on request.

Corrosion Protection

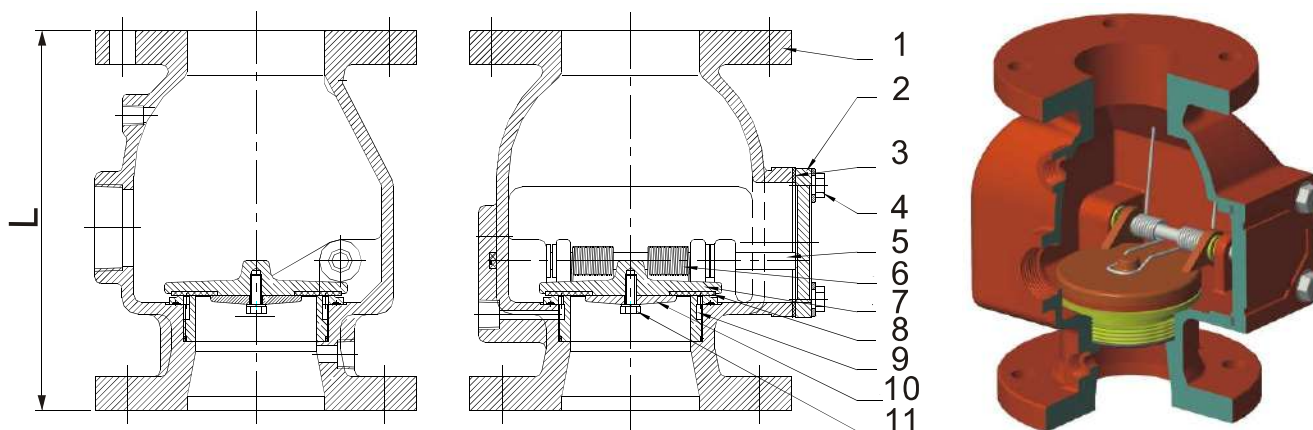
- Internally and externally fusion bonded epoxy powder coated (FBE).

Material Specifications

No.	Part Name	Material	ASTM Spec.
1	Body	Ductile Iron	A536 65-45-12
2	Cover	Ductile Iron	A536 65-45-12
3	Gasket	Rubber	EPDM
4	Bolt	Carbon Steel	A307B
5	Stem	Stainless Steel	AISI 304
6	Spring	Stainless Steel	AISI 304
7	Disc	Ductile Iron	A536 65-45-12
8	Disc Ring	Rubber	EPDM
9	Seat	Bronze	B62 C83600
10	Retainer	Brass	B16 C36000
11	Bolt	Stainless Steel	A2-70

Note:
Design and material are subject to change without notice.

Schematic



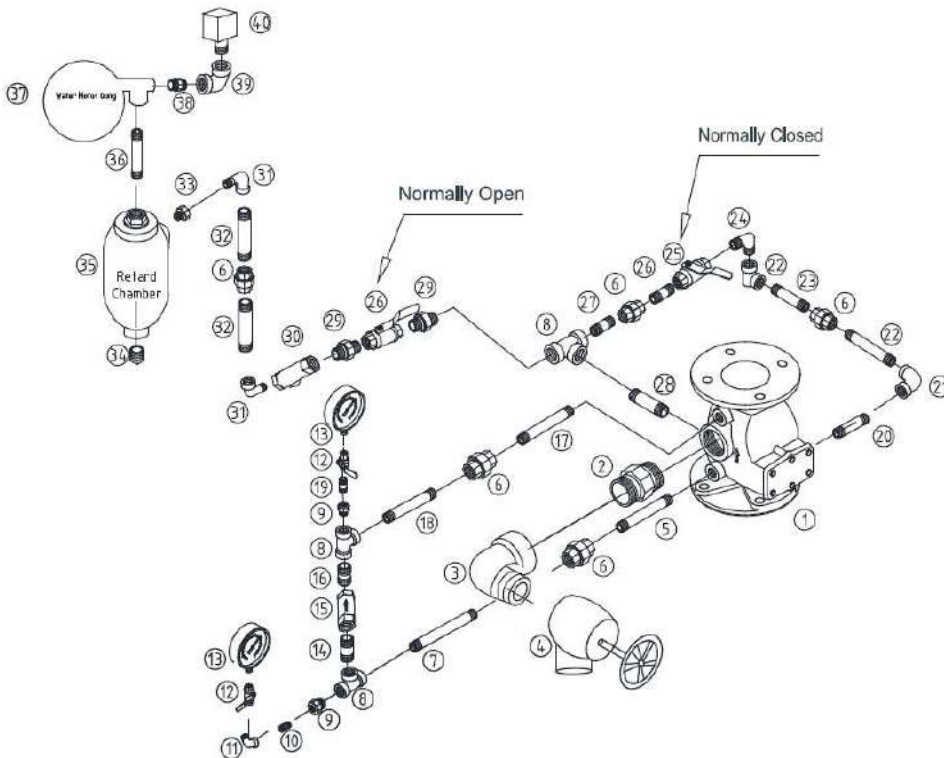
Dimensions (mm)

Size	80	100	150	200
L	257	270	340	432

Alarm Check Valve, Vertical Trim Flange End, 300PSI

FIG: ACV - 200

Schematic of Valve with Accessories



Part No.	Specification	Material
1	Valve	See Above
2	2" NPT Pipe Fitting	Malleable Iron
3	2" NPT Street Elbows	Malleable Iron
4	2" Angle Valve	Brass
5	1/2" NPT Screwed Pipe	Carbon Steel
6	1/2" Cone Union	Malleable Iron
7	1/2" NPT Screwed Pipe	Carbon Steel
8	1/2" Straight Tees	Malleable Iron
9	1/2" x 1/4" Reducers	Malleable Iron
10	1/4" NPT Screwed Pipe	Carbon Steel
11	1/4" 90° Elow	Malleable Iron
12	1/4" Ball Valve	Brass
13	Pressure Gage	
14	1/2" NPT Screwed Pipe	Carbon Steel
15	1/2" Check Valve	Brass
16	1/2" NPT Screwed Pipe	Carbon Steel
17	1/2" NPT Screwed Pipe	Carbon Steel
18	1/2" NPT Screwed Pipe	Carbon Steel
19	1/2" NPT Screwed Pipe	Carbon Steel
20	1/2" NPT Screwed Pipe	Carbon Steel
21	1/2" 90° Elbow	Malleable Iron
22	1/2" NPT Screwed Pipe	Carbon Steel
23	1/2" NPT Screwed Pipe	Carbon Steel
24	1/2" 90° Elbow	Malleable Iron
25	1/2" Ball Valve	Brass
26	1/2" NPT Screwed Pipe	Carbon Steel
27	1/2" NPT Screwed Pipe	Carbon Steel
28	1/2" NPT Screwed Pipe	Carbon Steel
29	1-2" NPT Pipe Fitting	Malleable Iron
30	1-2" Y-Strainer	Brass
31	1-2" 90° Street Elbow	Malleable Iron
32	1/2" NPT Screwed Pipe	Carbon Steel
33	Pipe Fitting	AISI 304
34	Plug 1	Brass
35	Plug 2	Brass
36	3/4" NPT Screwed Pipe	Carbon Steel
37	Water Motor Gong	
38	3/4" NPT Screwed Pipe	Carbon Steel
39	3/4" x 1/2" 90° Reducing Elbow	Malleable Iron
40	Pressure Switch	